

Mobile IP Camera (C6210M)



Main Features

- ◆ Support high definition (Mega pixels)
- ◆ Support three directions installation: horizontal hanging and side mount.
- ◆ DV12V or POE power supply optional
- ◆ Waterproof level up to IP66
- ◆ Anti-explosion and anti-uninstallation deliberately
- ◆ Supports video alarm

Overview

C6210M is an IP camera specially designed for vehicle monitoring environment with high-speed processor and embedded operation system, combining H.264 video compression/decompression technology and network technology.

Specification

Product Series	Mobile IP Camera C6210M	
Video	Image sensor	1/3" CMOS
	Lens	3.6mm/6.0mm optional
	Compression	H.264
	Stream	50Kbps-6Mbps(adjustable)
	Resolution	720P: 1280*720 (30fps) 640*360 (30fps) 320*180 (30fps)
	Stream	Triple streams: main stream, sub-stream, stream for cell previewing
	Image adjust	Brightness, contrast, saturation, sharpness
	Image direction	Mirror(left/right turning), upside down
Audio	OSD overlay	Support words, time overlay in the image
	Record mode	Audio and video synchronization
	Audio sampling rate	8KHZ
	Audio compression code rate	32Kbps
Network	Audio compression standard	ADPCM
	Security	Multi-level password
	User management	Multiple levels user management, multi-access supported
	Protocol	IPV4, TCP/IP, HTTP, DDNS, UPNP, DHCP, NTP, DNS, PPPoE, 802.1X, SMTP, RTSP/RTCP/RTP
	IE application	Built-in webServer supporting IE browser by IE6. IE7. IE 8 and IE9
	Network time sync	Network clock sync
	Search device	Support Ethernet search
Alarm	Network upgrade	Support
	Motion detect alarm	Support
	Motion detect sensitivity	8 levels adjustable

More information www.en.streamaxtech.com



Mobile IP Camera (C6210M)

Interface	Power input	DC12V
	Network	1) Compatible with universal POE (power supply) 2) Supports Streamax standard POE with Aviation-din connector
	Audio input	1 channel internal microphone
Working Environment	Power	DC12V± 10% POE power supply
	Consumption	2.5W/DC12V 4.5W/POE
	Working temperature	-25°C to +60°C
	Working humidity	20% to 80%
Physical characteristics	Dimension (L*W*D)	Φ114*78mm
	Weight	410g

HD Camera Image



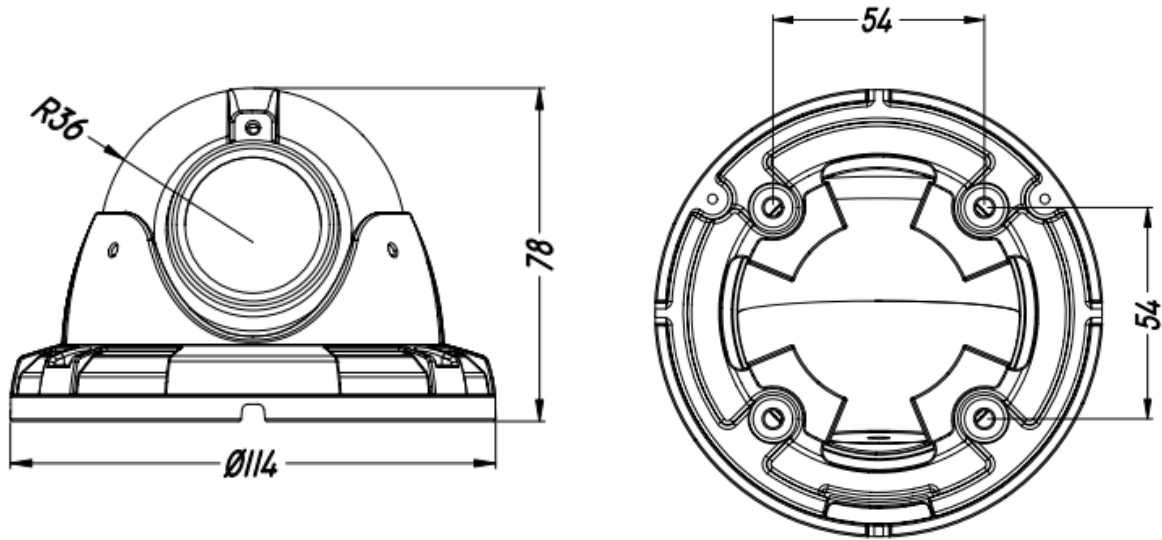
More information www.en.streamaxtech.com



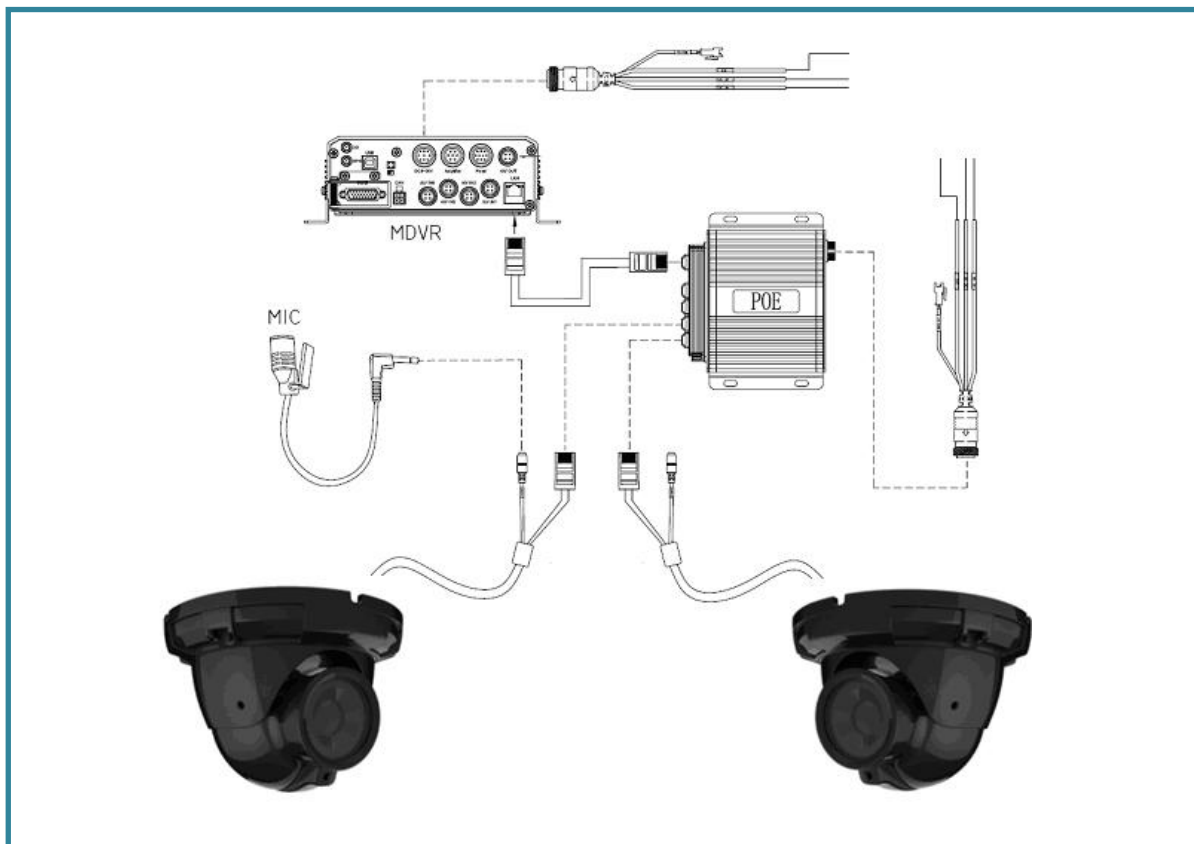
Copyright © 2014 Streamax Technology Co., Ltd
All rights reserved
All specifications are therefore subject to change without notice.

Mobile IP Camera (C6210M)

Dimension



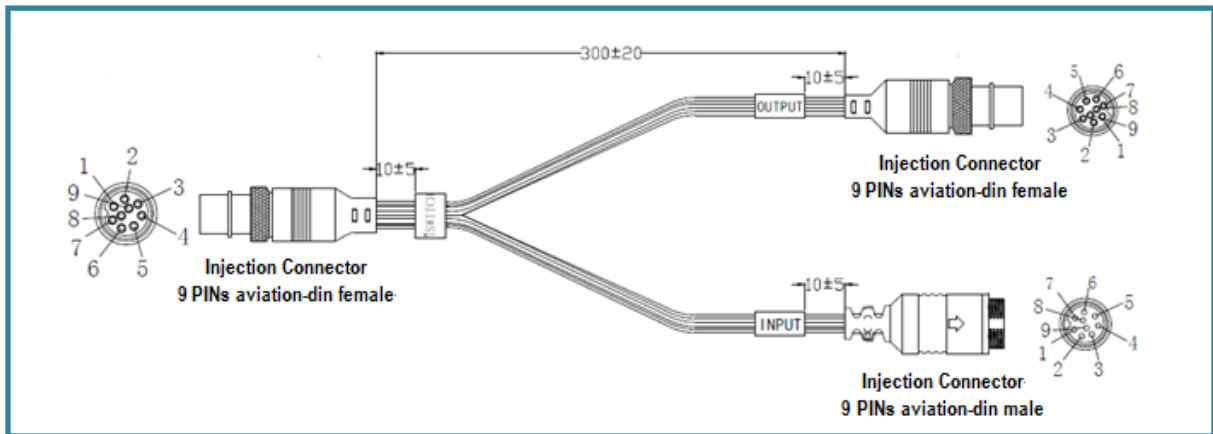
Appendix: POE Switch Connection



More information www.en.streamaxtech.com



Mobile IP Camera (C6210M)



More information www.en.streamaxtech.com

